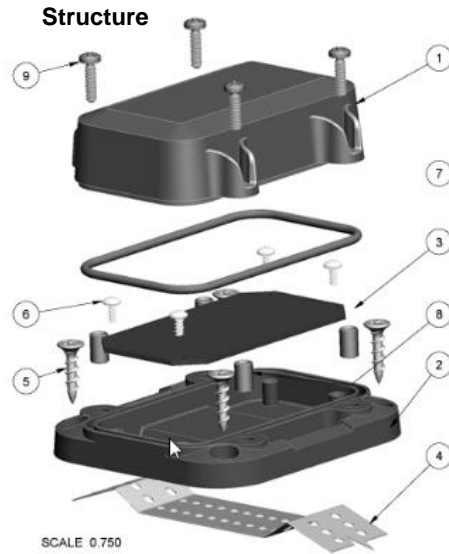


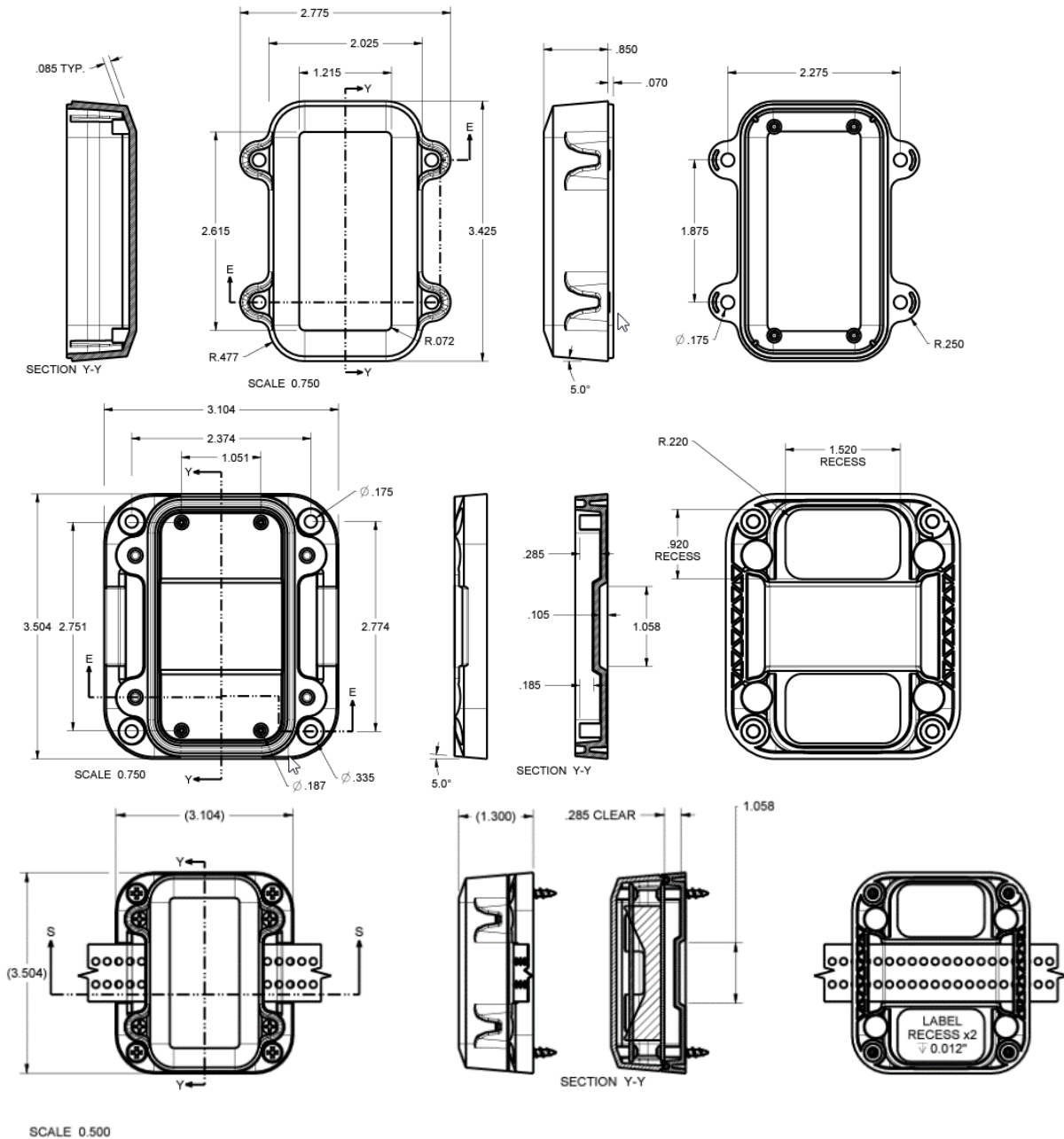
# igus<sup>®</sup> smart plastics

## SMS Module

### Datasheet V1.1



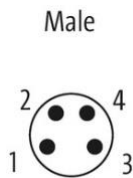
### Mechanical Specifications



## Electrical Specifications

Voltage	5V DC		
current	2A max. With good Network coverage 0.5A		
frequency	<b>Frequency</b>	<b>Recieve</b>	<b>Transmit</b>
	GSM850	869... 894 MHz	824... 849MHz
	EGSM900	925... 960MHz	880... 915MHz
	DCS1800	1805... 1880MHz	1710... 1785MHz
	PCS1900	1930... 1990MHz	1850... 1910MHz
Temperature range	-40 ... 85 °C		

## Connection



Clamp	Designation	Colour
X3 – 1	GND	Blue
X3 – 2	RX	Black
X3 – 3	TX	White
X3 – 4	5V	Brown
X3 – 5	Shield	Shield

## Service

### Customer service

[de-smartplastics-service@igus.net](mailto:de-smartplastics-service@igus.net)

+49 (0) 2203 9649 9806

Technical support for igus® smart Plastics

### Website smart Plastics

<https://www.igus.de/info/vorausschauende-wartung-smart-plastics>

Possibility to order sensors, processing units and other accessories

### Contact Us

[www.igus.de](http://www.igus.de)

[info@igus.de](mailto:info@igus.de)

+49 (0) 2203-9649-0F

### Legal notice

© 2021

All rights reserved at

igus® Ltd

Spicher Str. 1a

D-51147 Cologne



## German version

